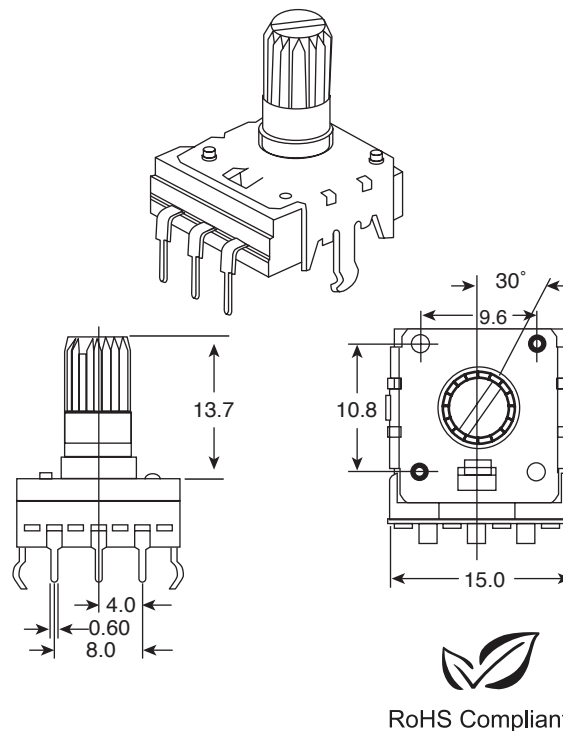




Alpha 14mm Clear Shaft Single Rotary Potentiometer

RV141F Series



Dimensions mm (in.)

Features:

- Clear plastic shaft in which a LED can be placed in the bottom to illuminate the shaft
- Any color T1 (3mm) size LED can be used

Specifications:

- Tolerance: $\pm 20\%$
- Rated Wattage: 0.05
- Rated Voltage: 50V AC
- Rotational Life: 15,000 Cycles
- Rotational torque: 20 to 200g/cm
- Insulation resistance: 100m Ω @250 V DC
- Breakdown voltage: 300 VAC for 1 minute

Alpha Part No.	Value (Ω)	Taper
RV141F-40-20BL-B5K	5K	Linear
RV141F-40-20BL-B10K	10K	Linear
RV141F-40-20BL-B20K	20K	Linear
RV141F-40-20BL-B50K	50K	Linear
RV141F-40-20BL-B100K	100K	Linear

Applications:

- Video
- Computers
- Audio equipment
- Communications

Specifications are subject to change without notice. No liability or warranty implied by this information. Environmental compliance based on producer documentation.